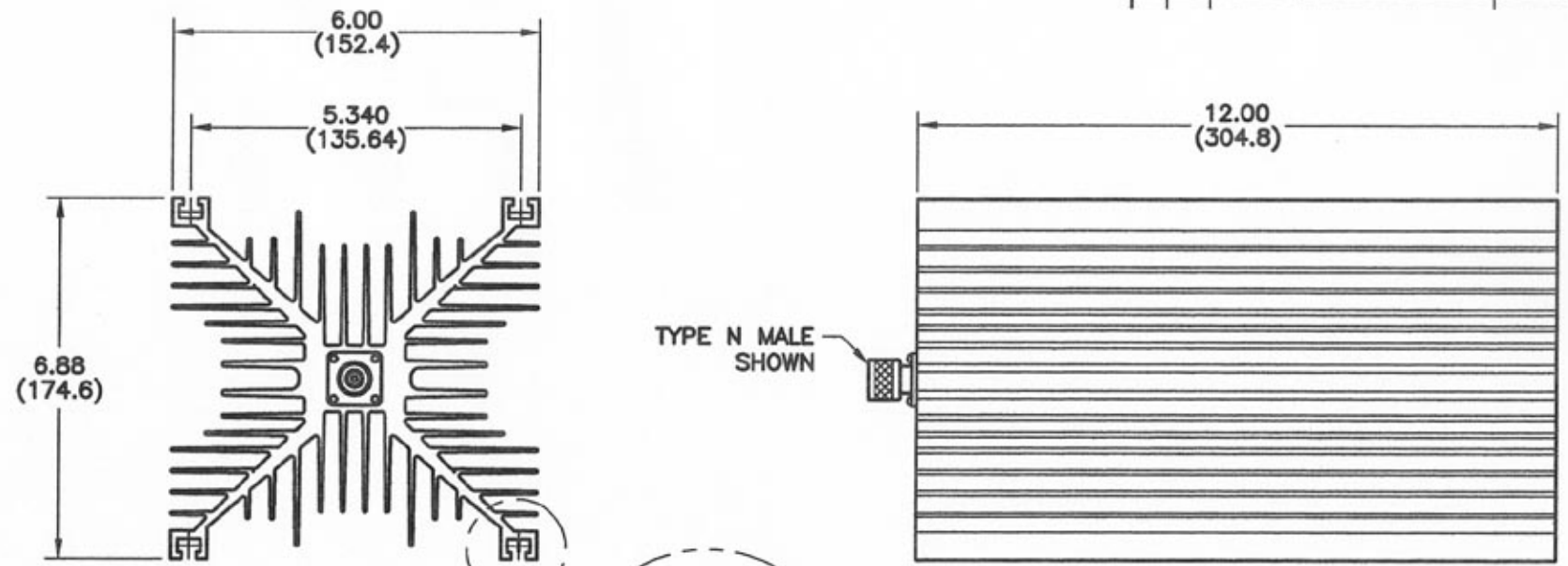


REVISIONS					
REV	ZONE	DESCRIPTION	DATE	BY	ECO

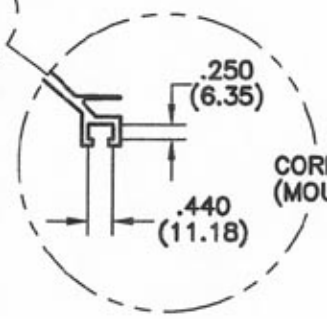


SPECIFICATIONS

FREQUENCY RANGE - DC TO 3.0 GHz
 IMPEDANCE - 50 OHMS
 VSWR (1.0 GHz) - 1.10:1
 (2.4 GHz) - 1.20:1
 (3.0 GHz) - 1.35:1

INPUT POWER (AVG.) - 500 WATTS
 (PEAK) - 2000 WATTS

CONNECTOR TYPES - TYPE N OR 7/16 DIN
 PLUG OR JACK



CORNER DETAIL (MOUNTING)

DIMENSIONS: INCHES (MILLIMETERS)

TOLERANCES		THE INFORMATION CONTAINED IN THIS DOCUMENT IS THE PROPERTY OF MICROWAVE DEVICES, INC. AND IS PROPRIETARY. IT IS NOT TO BE COPIED OR USED FOR ANY PURPOSE OTHER THAN AS INSTRUCTED, IN WRITING, BY MICROWAVE DEVICES, INC.
DEC.XX ± .05	FRNC ±	
.XXX ± .020	ANG ±	
MATERIAL		SIGNATURES DATE
FINISH		
DR	G.V.Cothren	3-27-07
CHK		
APPD		
APPD		

MICROWAVE DEVICES
RF and Microwave Components

**OUTLINE, MODEL 6500
 COAXIAL TERMINATION**

CAGE	SIZE	DRAWING NO.	900418-2
60674	B		
DRAWING SCALE		1/2	SHEET OF

CONTACT: MICROWAVE DEVICES - 1150 N. GRAHAM RD. FRANKLIN, IN 46131
 (317) 736-8633

DIMENSIONS ARE IN INCHES UNLESS OTHERWISE SPECIFIED.